

Shop Test

Name:

Start Time:

Address:

Finish Time:

Telephone:

Email:

Social Security Number:
(or green card number)

Drivers License Number:

I agree to allow Paul Downs Cabinetmakers to run a background check based on the information provided above. I also agree to a drug test if Paul Downs Cabinetmakers requests it.

Signed:

Date:

PAUL DOWNS CABINETMAKERS

401 E. 4th St. • Bldg. 8, 4th Floor • Bridgeport, PA • 19405

Phone: 610 239-0142 Fax: 610 239-0732 • www.pauldowns.com • e-mail: info@pauldowns.com
All Designs copyright Paul Downs Cabinetmakers 2017

Questions 1 to 20 are math questions. Please write in the answers.

1.
$$\begin{array}{r} 1230 \\ - 456 \\ \hline \end{array}$$

2.
$$\begin{array}{r} 714 \\ \times 15 \\ \hline \end{array}$$

3.
$$26 \overline{)2132}$$

4.
$$16 \overline{)58.40}$$

5.
$$\begin{array}{r} 4.750 \\ + 2.500 \\ \hline \end{array}$$

6.
$$\begin{array}{r} 142 \\ 726 \\ + 345 \\ \hline \end{array}$$

7.
$$\begin{array}{r} 674 \\ \times .04 \\ \hline \end{array}$$

8.
$$\begin{array}{r} 6.70 \\ + 3.40 \\ \hline \end{array}$$

9. Convert .750 to a fraction:

10. Convert 0.625 to a fraction:

11. $\frac{1}{2}'' + \frac{1}{4}'' =$

14. $2 \frac{1}{2}'' - \frac{5}{8}'' =$

12. $0.125'' + 0.375'' =$

15. $\frac{7}{16}'' + \frac{5}{16}'' =$

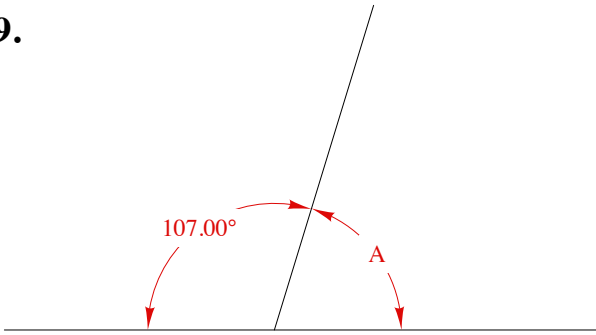
13. $1.5'' - 0.625'' =$

16. $(2 \frac{1}{2}) / (\frac{5}{8}) =$

17. How many 14" lengths can be cut from a piece that is 60" long?

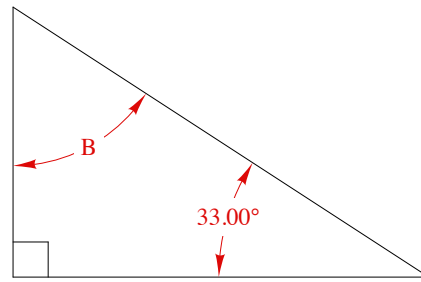
18. You are working with plywood. You need two pieces: one that is 20" x 90" and another that is 30" x 32". Can you get both of these pieces from one sheet of 4' x 8' plywood?

19.



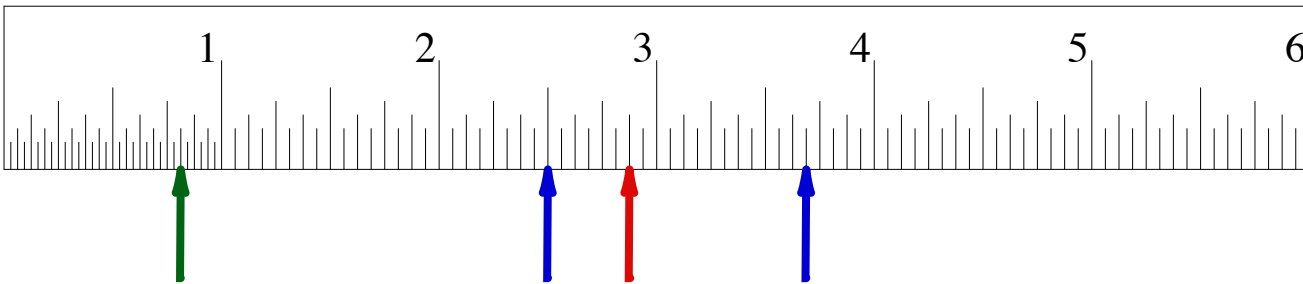
What is angle A?

20.



What is angle B?

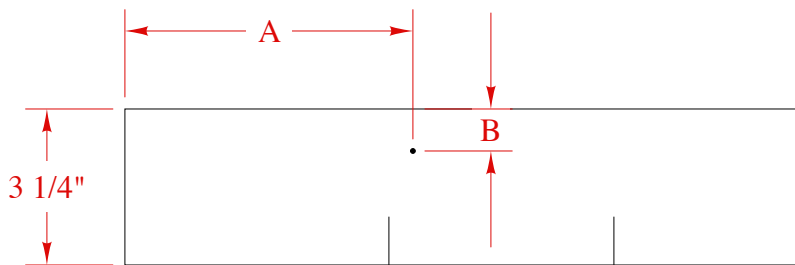
Questions 21 to 25 refer to the section of tape measure below:



21. What is the measurement indicated by the red arrow?
22. What is the measurement indicated by the green arrow?
23. What is the distance between the two blue arrows?
24. Draw an arrow on the tape measure pointing to $5 \frac{7}{16}$ " and label it "A"
25. Draw another arrow $\frac{3}{4}$ " to the left of arrow "A" and label it "B"

Use the tools provided and the piece of wood to answer questions 26 to 29:

26. What is the length of the piece along the edge marked "X" (to the nearest $\frac{1}{32}$ of an inch)?
27. What is the the distance between the two lines marked on the edge of the piece (again to the nearest $\frac{1}{32}$ of an inch)?
28. The sides of the piece are parallel to each other. Are both ends of the piece square to the sides?
29. Here is a drawing of the piece of wood. Use the ruler given to measure:



What is the dimension of A?

What is the dimension of B?

Questions 30 to 34 are multiple choice. Please circle the correct answer.

30. What is the machine in this picture?

- a. planer
- b. table saw
- c. jointer
- d. pin router



31. What is the machine in this picture?

- a. planer
- b. table saw
- c. jointer
- d. pin router



32. What is the machine in this picture?

- a. planer
- b. table saw
- c. jointer
- d. router table



33. What kind of tool is this?

- a. plunge router
- b. biscuit joiner
- c. random orbit sander
- d. belt sander



34. What kind of tool is this?

- a. combination square
- b. try square
- c. bow saw
- d. marking gauge



Questions 35 to 38 are comparisons. Look over the two lists below to determine if both lists are identical. If word or number differs, make an "X" to the left of the line.

Example:

[X] Center Stiles: 4 @ 2 x 30 x 15/16

Center Stiles: 3 @ 2 x 30 x 15/16

35. [] Bottom Rail: 1 @ 6 x 56 1/2 x 15/16

Bottom Rail: 1 @ 6 x 56 1/2 x 15/16

36. [] Side Panels: 2 @ 14 1/4 x 22 1/2 x 3/4 ply

Side Panels: 2 @ 14 1/8 x 22 1/2 x 3/4 ply

37. [] Door Rails: 8 @ 2 x 20 9/16 x 3/4

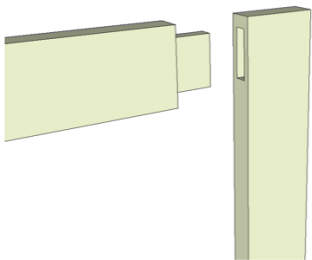
Door Stiles: 8 @ 2 x 20 9/16 x 3/4

38. [] Drawer Bottoms: 4 @ 15 1/16 x 20 x 1/4 ply

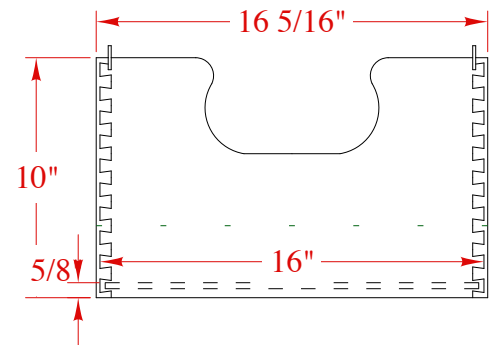
Drawer Bottoms: 4 @ 15 1/16 x 20 x 1/4 ply

Please write in your answers for questions 39 to 42.

39. What kind of joinery is this?

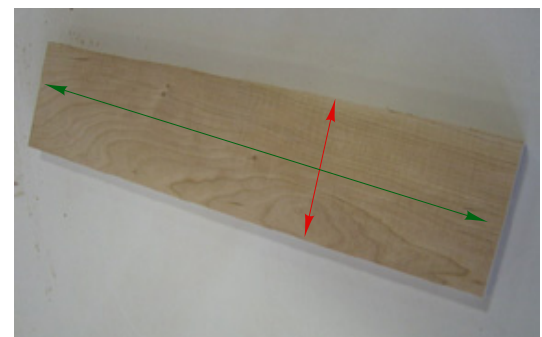


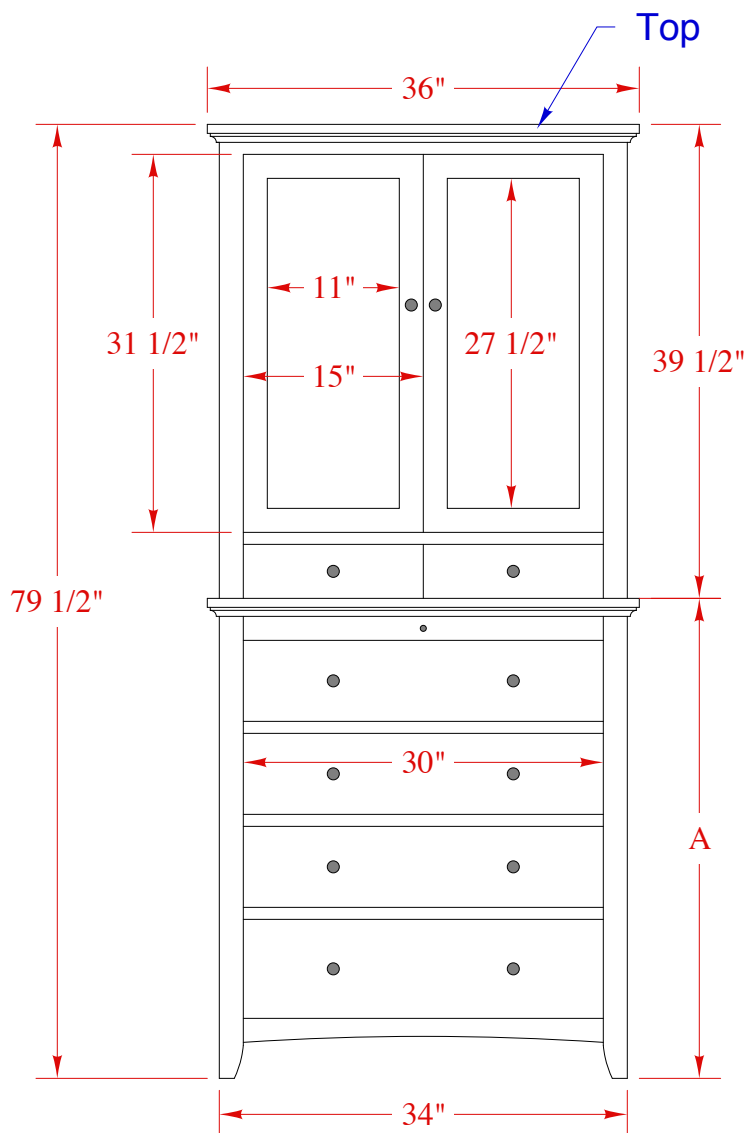
40. What kind of joinery is shown in this drawing for a drawer?



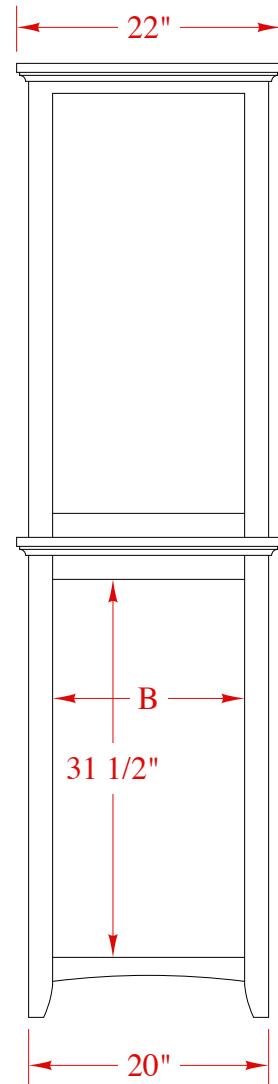
41. How will the dimension shown with the red arrows change between the winter and the summer?

42. Will the dimension shown with the green arrows change in the same way?





Front Elevation



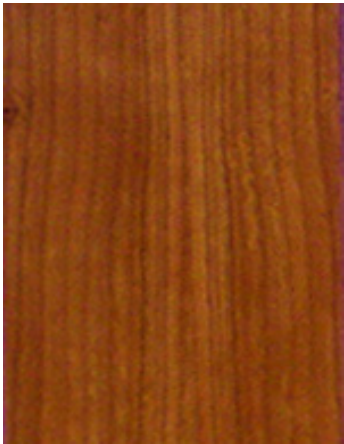
Side elevation

Questions 43 to 46 refer to the drawing above.

43. What is the dimension of A?
44. If the legs for this piece are 2" x 2" x 38 1/2" what is the dimension of B?
45. The top of this piece is 1" thick. What are its other dimensions?
46. What are the widths of the rails and stiles of the doors (don't worry about the reveals)?
47. What is the size of the door panel?

You are almost done! Three more questions!

48. Circle the wood species:



Walnut

Walnut

Walnut

Walnut

Cherry

Cherry

Cherry

Cherry

Maple

Maple

Maple

Maple

Oak

Oak

Oak

Oak

49. You are sanding a table top prior to finishing. Which of these grit sequences would you use?

- a. 120 240 180
- b. 400 320 220
- c. 120 180 220
- d. 2400 3600 4800

50. A table saw's kickback zone is:

- a. on the operator side
- b. on the outfeed side
- c. under the saw.